



Modular Cooking Range Line
thermaline 90 - 700 mm Passthrough
open base, GN conform, 2 Sides (H2) -
H=550

ITEM # _____

MODEL # _____

NAME # _____

SIS # _____

AIA # _____



589324 (MC2BDCGOOO) Passthrough open base,
two-side operated, GN - H2

Short Form Specification

Item No. _____

700 mm wide open passthrough base compartment to store pots, pans, sheet pans, etc. with hygienic design and round edges. Unit constructed according to DIN 18860_2 with 70 mm recessed plinth. Internal frame for heavy duty sturdiness in 2 mm and 3 mm in 1.

Main Features

- All major components may be easily accessed from the front.
- [NOT TRANSLATED]

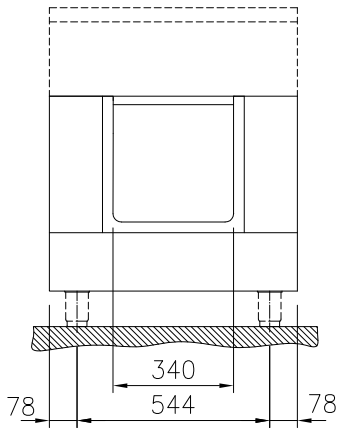
Construction

- IPX5 water resistance certification.
- Hygienic design of the open base compartment with large round edges.
- 2 mm top in 1.4301 (AISI 304).
- Flat surface construction with minimal hidden areas to easily clean all surfaces
- Storage space in the base of the appliance that can accept GN1/1 containers.
- Internal frame for heavy duty sturdiness in stainless steel.

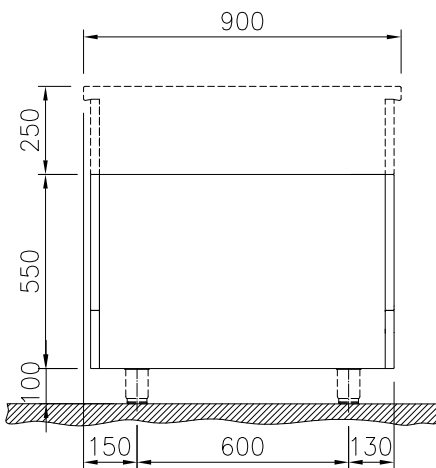
APPROVAL: _____



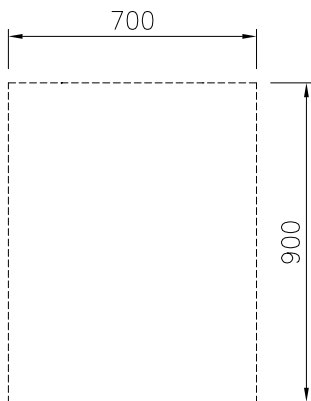
Front



Side



Top


Key Information:

External dimensions, Width:	
589324 (MC2BDCG000)	700 mm
External dimensions, Depth:	900 mm
External dimensions, Height:	550 mm
Cupboard Cavity Dimensions (width):	580 mm
Cupboard Cavity Dimensions (height):	330 mm
Cupboard Cavity Dimensions (depth):	860 mm
Net weight:	23 kg

Optional Accessories

- Stainless steel side panel (12mm), 900x800mm, freestanding PNC 912511
- Stainless steel front kicking strip, 700mm width PNC 912597
- Stainless steel side kicking strips left and right, freestanding, 900mm width PNC 912621
- Stainless steel plinth, freestanding, 700mm width PNC 912919
- - NOT TRANSLATED - PNC 913237
- - NOT TRANSLATED - PNC 913259
- - NOT TRANSLATED - PNC 913282
- - NOT TRANSLATED - PNC 913673
- - NOT TRANSLATED - PNC 913689